

Introduction

PerkinElmer PhenoPlates™, formerly known as CellCarrier™ Ultra microplates, have been engineered to deliver superior images and the highest quality data for high-content applications.

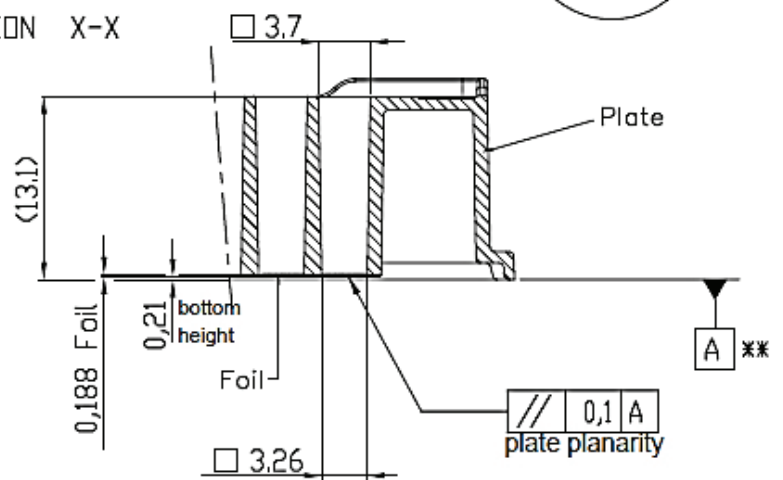
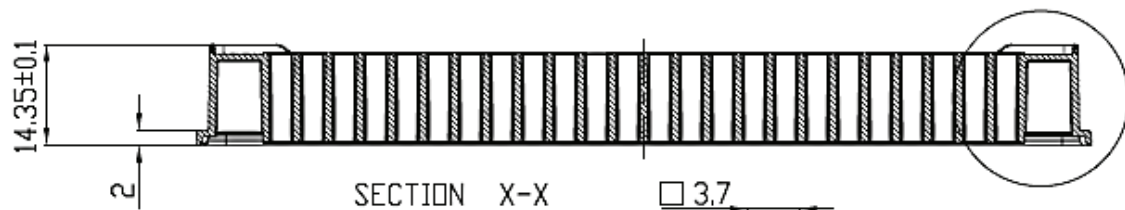
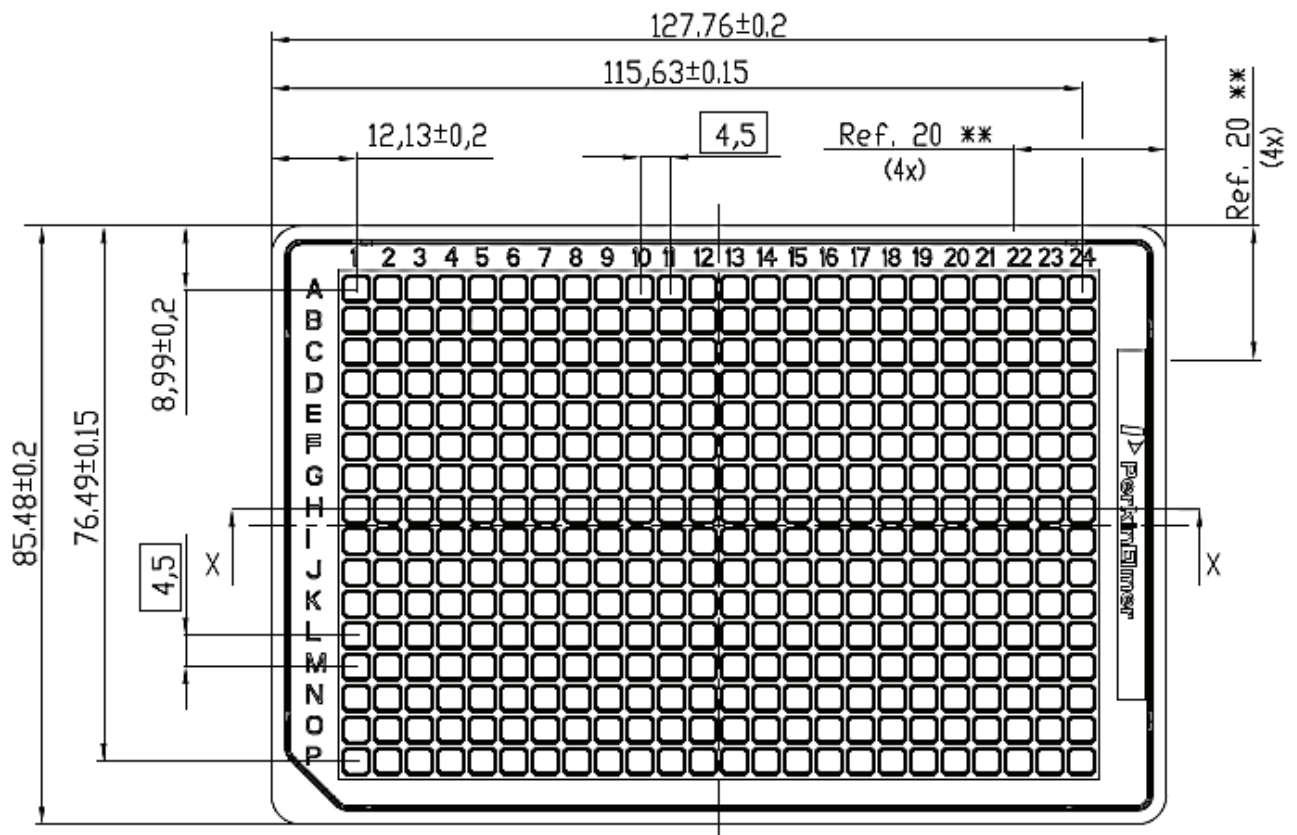
- Optimal clarity and fast autofocus from excellent flatness of the plate bottom.
- Superior image quality from high optical quality of cyclic olefin imaging surface - black optically clear cyclic olefin microplate (Refractive index of 1.53).
- Better well access when using water immersion and high NA objectives with ultra-low plate bottom ($200 \pm 10 \mu\text{m}$).
- Reduced evaporation from new design, low-profile polystyrene lid.
- Less risk of damaging the imaging surface when stacking with unique corner spacers.
- Available with different coatings to suit your application:
 - Tissue-culture treated.
 - Poly-D-lysine or collagen-coated to facilitate cell adherence and proliferation.
 - ULA-coated to reduce cell adherence and intended for studying 3D spheroids or suspension cells.



Product Information

Product Name	Packaging Format	Part Number
PhenoPlate 384-well, black, optically clear flat-bottom, tissue-culture treated, lids, case of 50	50 individually pouched plates	6057300
PhenoPlate 384-well, black, optically clear flat-bottom, tissue-culture treated, lids, case of 40	2 bags of 20 plates	6057302
PhenoPlate 384-well, black, optically clear flat-bottom, tissue-culture treated, lids, case of 160	8 bags of 20 plates	6057308
PhenoPlate 384-well, black, optically clear flat-bottom, tissue-culture treated, non-irradiated, lids, case of 160	8 bags of 20 plates	6057328
PhenoPlate 384-well, black, optically clear flat-bottom, poly-D-lysine-coated, lids, case of 40	2 bags of 20 plates	6057500
PhenoPlate 384-well, black, optically clear flat-bottom, poly-D-lysine-coated, lids, case of 160	8 bags of 20 plates	6057508
PhenoPlate 384-well, black, optically clear flat-bottom, collagen-coated, lids, case of 40	2 bags of 20 plates	6057700
PhenoPlate 384-well, black, optically clear flat-bottom, collagen-coated, lids, case of 160	8 bags of 20 plates	6057708
PhenoPlate 384-well, black, optically clear flat-bottom, ultra-low-attachment-coated, lids, case of 10	10 individually pouched plates	6057800
PhenoPlate 384-well, black, optically clear flat-bottom, ultra-low-attachment-coated, lids, case of 40	2 bags of 20 plates	6057802

Plate Dimensions



VOLUME PER WELL: max $145 \mu\text{L}$

** Reference surface A is determined by the 4 corners of the product and defined by the measures ref. 20

All dimensions in mm

PhenoPlate dimensions for Harmony® software Microplate Definition Wizard

Plate Type Definition Wizard

Welcome

Define Template

Specify Plate Dimensions

Specify Well Dimensions

Describe Plate

Finish Wizard

Step 4 / 7

Please enter the dimensions of the plate type.

A: mm C: mm E: mm
 B: mm D: mm F: mm

< Back Next >

Plate Type Definition Wizard

Welcome

Define Template

Specify Plate Dimensions

Specify Well Dimensions

Describe Plate

Finish Wizard

Step 5 / 7

Side:

G: mm
 H: mm
 I: mm

Top: Bottom:

J: mm N: mm

< Back Next >