

Introduction

PerkinElmer PhenoPlates™, formerly known as CellCarrier™ Ultra microplates, have been engineered to deliver superior images and the highest quality data for high-content applications.

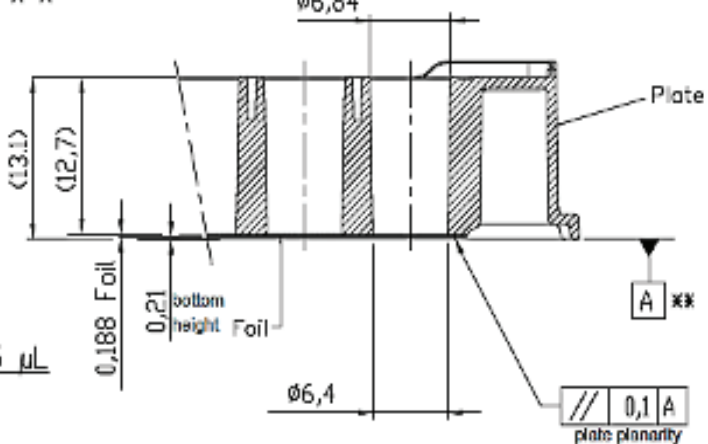
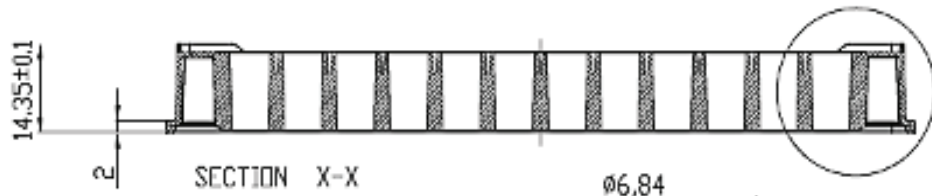
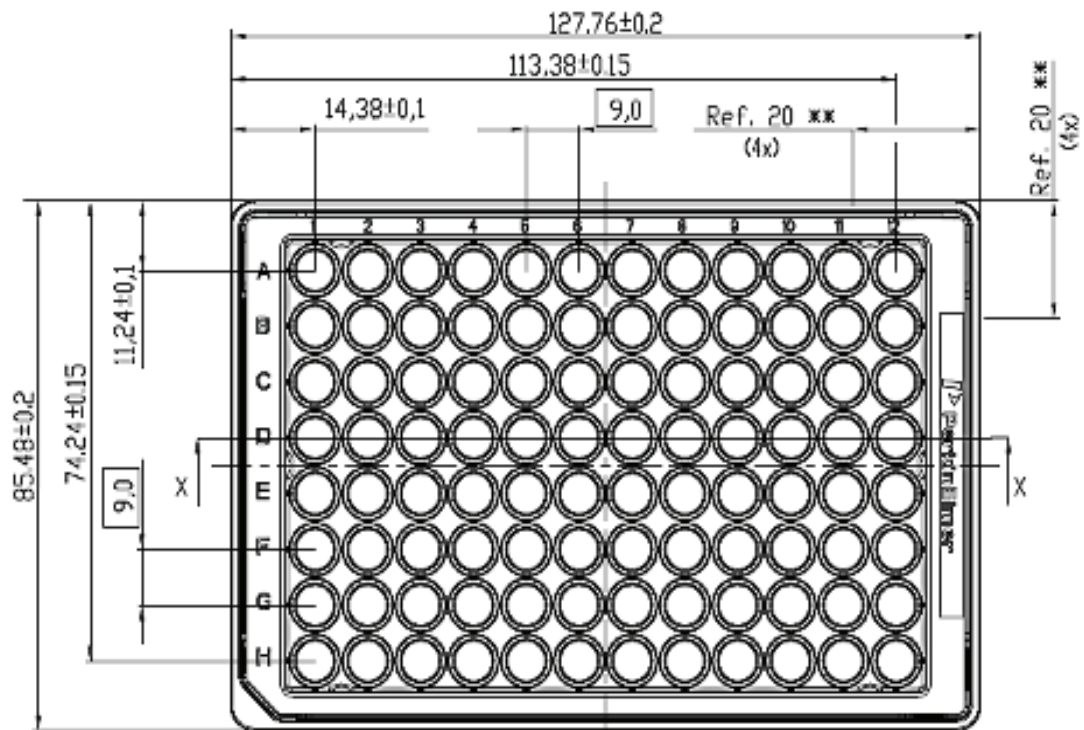
- Optimal clarity and fast autofocus from excellent flatness of the plate bottom.
- Superior image quality from high optical quality of cyclic olefin imaging surface - black optically clear cyclic olefin microplate (Refractive index of 1.53).
- Better well access when using water immersion and high NA objectives with ultra-low plate bottom ($200 \pm 10 \mu\text{m}$).
- Reduced evaporation from new design, low-profile polystyrene lid.
- Less risk of damaging the imaging surface when stacking with unique corner spacers.
- Available with different coatings to suit your application:
 - Tissue-culture treated.
 - Poly-D-lysine or collagen-coated to facilitate cell adherence and proliferation.
 - ULA-coated to reduce cell adherence and intended for studying 3D spheroids or suspension cells.



Product Information

Product Name	Packaging Format	Part Number
PhenoPlate 96-well, black, optically clear flat-bottom, tissue-culture treated, lids, case of 50	50 individually pouched plates	6055300
PhenoPlate 96-well, black, optically clear flat-bottom, tissue-culture treated, lids, case of 40	2 bags of 20 plates	6055302
PhenoPlate 96-well, black, optically clear flat-bottom, tissue-culture treated, lids, case of 160	8 bags of 20 plates	6055308
PhenoPlate 96-well, black, optically clear flat-bottom, poly-D-lysine-coated, lids, case of 40	2 bags of 20 plates	6055500
PhenoPlate 96-well, black, optically clear flat-bottom, poly-D-lysine-coated, lids, case of 160	8 bags of 20 plates	6055508
PhenoPlate 96-well, black, optically clear flat-bottom, collagen-coated, lids, case of 40	2 bags of 20 plates	6055700
PhenoPlate 96-well, black, optically clear flat-bottom, collagen-coated, lids, case of 160	8 bags of 20 plates	6055708
PhenoPlate 96-well, black, optically clear flat-bottom, ultra-low-attachment-coated, lids, case of 10	10 individually pouched plates	6055800
PhenoPlate 96-well, black, optically clear flat-bottom, ultra-low-attachment-coated, lids, case of 40	2 bags of 20 plates	6055802

Plate Dimensions



Reference surface A is determined by the 4 corners of the product and defined by the measures ref. 20

VOLUME PER WELL: max 425 µL

All dimensions in mm

PhenoPlate dimensions for Harmony® software Microplate Definition Wizard

